

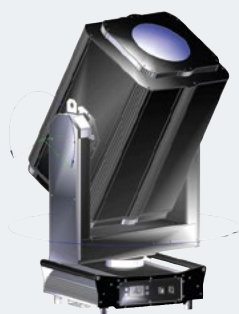
FALCON® 4000 white

1

4,000 W

- Indoor/outdoor xenon searchlight
- Extra scroller for special effects
- Integrated electronic power supply
- Designed for both floor-mounted and suspended/inverted use

The **FALCON® 4000 white** is perfect for large events and a variety of architectural and entertainment applications, including use as a high-power searchlight or long-throw washlight.

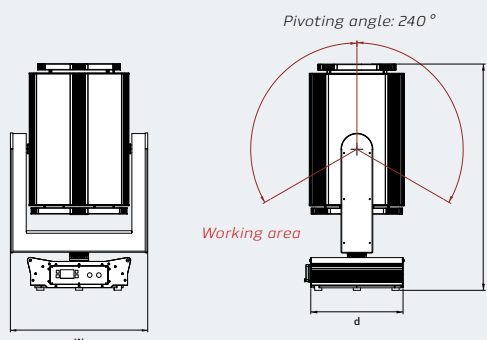


Tilt movement
240°

Pan movement 520°

Dimensions 4,000 W

h: 1,205 mm | 47.4 inch
w: 714 mm | 28.1 inch
d: 480 mm | 18.9 inch



Technical specifications	FALCON® 4000 white
Lamp	
Type	OSRAM Xstage® 4,000 W
Colour temperature	6,000 K
Scroller	
Effect gel string	11 different effects
Reflector	
Material	High precision electro-shaped nickel with rhodium/dichroic coating
Diameter	254 mm / 10 inch
Function	
Main functions	Lamp on / off, hot strike, electronic dimmer, mechanical dimmer, electronic strobe, mechanical strobe, douser, zoom, pan / tilt movement 16 bit, reset, effect gel
Movement	Pan = 520 °, tilt = 240 °
Control	
Standard DMX protocol	DMX 512 in / out
DMX channels	15
Power	
System	Built-in electronic power supply
Input power	400 VAC 50 Hz, balanced 3-phase (other input voltages on request)
Max. tolerances	+ 5 % / - 5 %
Power consumption	4,500 W, cos ϕ > 0.98
Temperature	
Operating temperature	- 15 °C up to + 42 °C, non-condensed; 5 °F up to 107.6 °F, non-condensed
Housing	
Material	Non-corrosive aluminium / stainless steel
Colour	Standard colour: black, matt, RAL 9005; other RAL-tones possible
Protection	
Protection rating	IP 54
Specifications	
Dimensions h x w x d	1,205 x 714 x 480 mm; 47.4 x 28.1 x 18.9 inch
Weight (standard, without clamps and safety chain)	115 kg (253.5 lb) Clamps and safety chain: 4 kg (8.8 lb)

ACCESSORIES

FALCON® 4000 white



Article	Article No.	Accessories for entertainment FALCON®-Range
Body protection		
	A013401101	Body protection kit (Safety glasses, gloves, leather jacket)
Fixture Safety		
	A013102101	Clamps & Safety Chain Kit 4,000 W - FALCON® 4000 white (2 Clamps, 1 Chain, 2 Chain Links) For the hanging installation of FALCON® BEAM luminaires.
	A014101221	FALCON® FLIGHTCASE Clamps & Safety Chain Kit (two sets fit in one flightcase)
	A014101221	FALCON® FLIGHTCASE Clamps & Safety Chain Kit (two sets fit in one flightcase)
Luminaires & Sockets Lamp socket: Spare Part: Brass adapter for xenon lamp.		
	A013501106	Lamp socket Xstage 4,000 W for FALCON® 4000 white
	OS15102104	Xstage 4,000 W
Packaging & Transport		
	A013103105	FALCON® FLIGHTCASE FALCON® 4000 white
	A013104105	Packing (Woodbox ISPM15) FALCON® 4000 white
Control		
	ITCS800	CueServer Pro CS800 Programmable light show controller
	A013200002	DMX Booster 1 in 4, DIN-Rail mounting, 230 VAC DMX Signal splitter and amplifier
	A013200001	DMX Booster 1 in 10, 19", 1 U, 1 x XLR5 in / thru, 10 x XLR5 out, 230 VAC DMX Signal splitter and amplifier

Arts Outdoor Lighting Technology GmbH & Co. KG ■ Arberger Hafendamm 22 ■ 28309 Bremen ■ Germany

■ Fon +49 (0) 421 59 66 09-0 ■ Fax +49 (0) 421 59 66 09-66

■ info@ao-technology.com ■ www.ao-technology.com

■ March 2018 All of the descriptions, illustrations, diagrams and technical details in this folder describe examples of design or construction and they do not form any element of the contract. Text and photographs are the copyright of Arts Outdoor Lighting Technology GmbH & Co. KG. All rights reserved. The right is reserved to make technical alterations.