

FALCON® STATIC ARC colour 3,000W/7,000W

- MADE IN GERMANY
- Powder-coated aluminium housing
- Weatherproof (IP44)
- CMY colour changer for infinitely variable colour effects (3kW)
- Colour string (7kW)

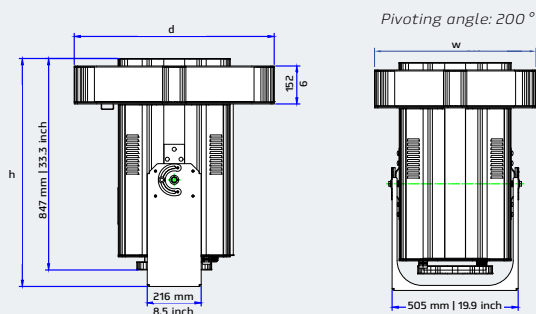
3,000 W | 7,000 W

The **FALCON® STATIC ARC colour** is perfect for large architectural installations, including use long-throw washlight or as a searchlight for accent lighting.



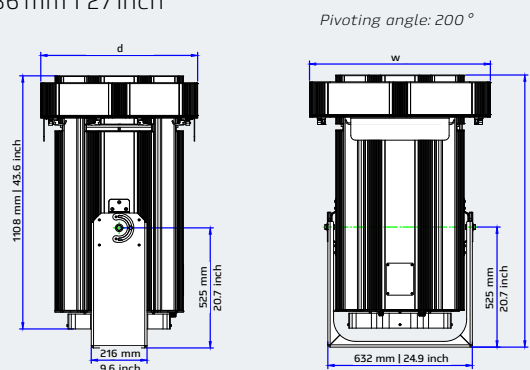
Dimensions 3,000 W

h: 913 mm | 35.9 inch
w: 646 mm | 25.4 inch
d: 801 mm | 31.5 inch



Dimensions 7,000 W

h: 1190 mm | 46.8 inch
w: 792 mm | 31.2 inch
d: 686 mm | 27 inch



Technical subjects to alterations.

Technical specifications	FALCON® STATIC ARC colour 3,000 W	FALCON® STATIC ARC colour 7,000 W
Lamp		
Type	OSRAM XBO® 3,000 W or Xstage® 3,000 W	OSRAM XBO® 7,000 W or Xstage® 7,000 W
Colour temperature	6,000 K	
Colour changer system		
Colour changer	CMY	Gel scroller
Reflector		
Material	Nickel with high precision electro-shaped dichroic coating	Nickel with high precision electro-shaped dichroic coating
Diameter	320 mm / 12.6 inch	460 mm / 18.1 inch
Function		
Main functions	Lamp on / off, hot strike, electronic strobe, electronic dimmer, frost, colour changer, manual focus	
Movement	Manual adjustment	
Control		
Standard DMX protocol	DMX 512 in / out	
DMX function	Lamp on / off, colour changer, electronic strobe, electronic dimmer, reset, shutter, frost (only 3kW)	
Power		
System	Built-in electronic power supply	
Input voltages (other input voltages on request)	90 - 264 VAC, + 5 % / - 5 %, 50/60 Hz, 1-phase	190 - 442 VAC, + 5 % / - 5 %, 50/60 Hz, 3-phase
Power factor	cos ϕ > 0.98	
Power consumption	3,300 W	7,500 W
Temperature		
Operating temperature	-15 °C up to +42 °C, non-condensed; 5 °F up to 107.6 °F, non-condensed	
Housing		
Material	Powder-coated, non-corrosive aluminium / stainless steel	
Colour	Standard colour: silver-grey, RAL 9006; other RAL-tones possible	
Protection		
Protection rating	IP 44	
Specifications		
Dimensions h x w x d	913 x 646 x 801 mm; 35.9 x 25.4 x 31.5 inch	1190 x 792 x 686 mm; 46.8 x 31.2 x 27 inch
Weight	75 kg (165.35 lb)	110 kg (242.5 lb)

COLOUR STRING STANDARD

FALCON® STATIC ARC colour 7,000W

		Rosco Supergel HT (Standard!)		Comparative value: LEE Filters
No.	DMX channel		SG No.	LEE HT No.
1	0 - 10		.000 Clear	.000 Clear
2	11 - 31		.204 Full CT Orange (e-colour+)	.204 Full CT Orange
3	32 - 52		.026 Light Red	.026 Bright Red
4	53 - 73		.355 Pale Violet	.142 Pale Violet
5	74 - 94		.022 Deep Amber	.022 Dark Amber
6	95 - 115		.079 Bright Blue	.079 Just Blue
7	116 - 136		.010 Medium Yellow	.010 Medium Yellow
8	137 - 157		.089 Moss Green	.122 Fern Green
9	158 - 178		.049 Medium Purple	.126 Mauve
10	179 - 199		.073 Peacock Blue	.115 Peacock Blue
11	200 - 220		.032 Medium Salmon Pink	.193 Rosy Amber
12	221 - 241		.067 Light Sky Blue	.352 Glacier Blue
13	242 - 255		.000 Clear	.000 Clear

All colours describe examples of design. Computer graphics and screens can give you only a rough sense of the colour. The real colours depending on several preconditions like e.g. conditions of illuminated areas, adjustments in power and brightness of a light source and the ambient light. Technical subjects to alterations.

DMX CHART

FALCON® STATIC ARC colour 3,000W

FALCON® STATIC ARC colour 3,000W (Vers. Falc C24)			
DMX channel	Function	DMX Parameter	Default
1	Colour1: Cyan	0 - 255 (0 - 100%) Clear - Cyan	0
2	Colour2: Magenta	0 - 255 (0 - 100%) Clear - Magenta	0
3	Colour3: Yellow	0 - 255 (0 - 100%) Clear - Yellow	0
4	Shutter	0 (0%) Open 255 (100%) Close	0
	Frost (3kW only)	0 (0%) 0% Frost 255 (100%) 100% Frost	
5	Control*	0 - 20 (0 - 8%) Idle	0
		27 - 50 (11 - 20%) Lamp off	
		78 - 100 (31 - 39%) Lamp on	
		128 - 150 (50 - 59%) Fixture reset	
		200 - 255 (79 - 100%) Fan on	
7	Intensity (Electronic dimmer)	000 - 255 (0 - 100%) = 30-100% Intensity	255
8	Electronic strobe	000 - 020 (0 - 8%) Strobe disabled	0
		21 - 255 (9 - 100%) Strobe 0.2Hz - 25Hz	

*Hold value for 5 sec.

DMX CHART

FALCON® STATIC ARC colour 7,000W

FALCON® STATIC ARC colour 7,000W (Vers. Falc C24)					
DMX channel	Function	MODE 1		MODE 2	
		DMX Parameter	Default	DMX Parameter	Default
1	Reserved				
2	Reserved				
3	Reserved				
4	Reserved				
5	Reserved				
6	Reserved				
7	Reserved				
8	Lamp off/on*	0 - 20 (0 - 1%) Idle	0	0 - 20 (0 - 1%) Idle	0
		25 - 50 (10 - 20%) Lamp off		25 - 50 (10 - 20%) Lamp off	
		78 - 100 (31 - 40%) Lamp on		78 - 100 (31 - 40%) Lamp on	
	Force shutter open	191 - 199 (75 - 78%) Lock shutter in open position (Function is active as long as value is sent by control desk. When released, shutter will immediately follow dimmer values.)			
	Fan on**	200 - 255 (79 - 100%) Fan on		200 - 255 (79 - 100%) Fan on	
9	Intensity (elec. Dimmer/Dimmer)	000 - 255 (0 - 100%) = 0-100% Intensity	0	000 - 255 = 0-100% Intensity	0
10	Electronic strobe	000 - 020 (0 - 8%) Strobe disabled	0	000 - 003 (0 - 2%) Open	0
				004 - 103 (3 - 40%) Strobe 0,25Hz - 25Hz	
				104 - 107 (41 - 42%) Closed	
		108 - 132 (43 - 52%) Pulse open			
		133 - 157 (53 - 62%) Pulse closed			
		158 - 160 (63%) Random slow			
		161 - 163 (64%) Random medium			
		164 - 166 (65%) Random fast			
		167 - 169 (66 - 67%) Open			
11	Douser	000 - 127 (0 - 50%) Douser closed - Douser open	0	000 - 003 (0 - 2%) Open	0
	Mechanical strobe	128 - 255 (51 - 100%) Strobe 0,18Hz - 2,1Hz		004 - 103 (3 - 40%) Strobe 0,18Hz - 2,1Hz	
104 - 107 (41 - 42%) Closed					
108 - 132 (43 - 52%) Pulse open					
133 - 157 (53 - 62%) Pulse closed					
158 - 160 (63%) Random slow					
161 - 163 (64%) Random medium					
164 - 166 (65%) Random fast					
167 - 169 (66 - 67%) Open					
12	Colour changer	See colour sheet on page 3	0	See colour sheet on page 3	0
13	(Future use)		0		0

*Hold value for 5 sec. ** Hold value for > 1 sec.

LIGHT SOURCE

FALCON® STATIC ARC colour 3,000W

Osram XBO Xtreme Life is a xenon short-arc lamp with very high luminance and constant colour temperature of 6,000 K (simulates daylight) throughout the entire lamp lifetime.

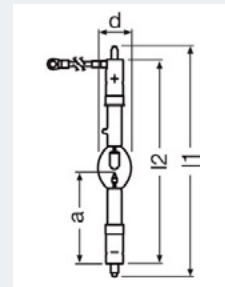
- Easy to maintain
- High arc stability
- Instant light thanks to hot restart function
- Wide dimming range



OSRAM XBO Xtreme Life 3,000W - XBO 3000 W/HS XL OFR								
Electrical data			Dimensions & weight					
Nominal wattage	Nominal current	Current control range	Length	Diameter	Length with base excl. base pins/connection	Light center length (LCL)	Electrode gap cold	Weight
3,000W	100A	60..110A	342mm	60mm	302mm	145mm*	6mm	555g

*Distance from end of base to tip of electrode (cold)

Photometrical data		
Luminous flux	Luminous intensity	Average luminance
130,000lm	12,000cd	90,000cd/cm ²



Temperatures & operating conditions	Lifespan	Additional product data		Capabilities	
Max. permitted ambient temp. pinch point	Lifespan	Base anode (standard designation)	Base cathode (standard designation)	Cooling	Burning position
230 °C	2,200hr	SFaX27-9.5	SFa27-7.9	Forced**	s30/p30***

Vertical and horizontal *For vertical burning position: anode (+) on top

Technical subjects to alterations.

LIGHT SOURCE

FALCON® STATIC ARC colour 3,000W

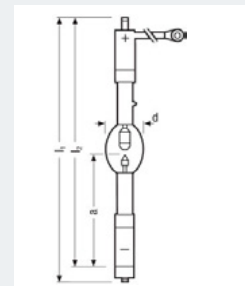
Osram Xstage is a short arc lamp especially suited for architectural and event lighting and were optimized for outdoor use. It has a very high luminance for brighter illumination due to shortened arc gap.

- ▀ Robust base for improved stability
- ▀ Daylight colour temperature 6,000K
- ▀ Hot restart capability
- ▀ Dimmable



OSRAM Xstage 3000W - Xstage 3000 W OFR						
Electrical data				Photometrical data		
Nominal wattage	Nominal voltage	Lamp current	Current control range	Luminous flux	Luminous intensity	Average luminance
3,000W	30V	100A	70..110A	140,000lm	13,500cd	200,000 cd/cm ²

Dimensions				
Diameter	Length	Mounting length	Light center length (LCL)	Electrode gap cold
55mm	300mm	262mm	120mm*	4.5mm



*Distance from end of base to tip of electrode (cold)

Temperatures & operating conditions	Lifespan	Additional product data		Capabilities	
Max. base temperature	Lifespan	Base anode (standard designation)	Base cathode (standard designation)	Cooling	Operating position
230 °C	1,000hr	SFaX27-9.5	SFc28-27	Required	s90

Because of their high luminance, UV radiation and high internal pressure in both the hot and cold state, Xstage lamps must only be operated in enclosed lamp casings specially constructed for the purpose. Always use the supplied protective jackets when handling these lamps. They may only be used as open lamps if appropriate safety measures are taken. More information is available on request or can be found in the leaflet included with the lamp or the operating instructions.

Technical subjects to alterations.

LIGHT SOURCE

FALCON® STATIC ARC colour 7,000W

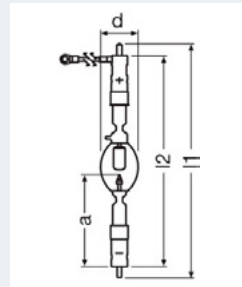
Osram XBO Xtreme Life is a xenon short-arc lamp with very high luminance and constant colour temperature of 6,000 K (simulates daylight) throughout the entire lamp lifetime.

- Easy to maintain
- High arc stability
- Instant light thanks to hot restart function
- Wide dimming range



OSRAM XBO Xtreme Life 7,000W - XBO 7000 W/HS XL OFR						
Electrical data				Photometrical data		
Nominal wattage	Nominal voltage	Lamp current	Current control range	Luminous flux	Luminous intensity	Average luminance
7,000W	42V	160A	110...165A	350,000lm	35,000cd	100,000 cd/cm ²

Dimensions & weight						
Diameter	Length	Mounting length	Light center length (LCL)	Electrode gap cold	Cable/ wire length, input side	Product weight
78mm	436mm	393mm	170.5mm*	11mm	400mm	1,025g



*Distance from end of base to tip of electrode (cold)

Temperatures & operating conditions	Lifespan	Additional product data		Capabilities	
Max. permitted ambient temp. pinch point	Lifespan	Base anode (standard designation)	Base cathode (standard designation)	Cooling	Burning position
230 °C	650h	SFaX30-9.5	SFa30-7.9	Forced**	p15/s15***

Vertical and horizontal *For vertical burning position: anode (+) on top

LIGHT SOURCE

FALCON® STATIC ARC colour 7,000W

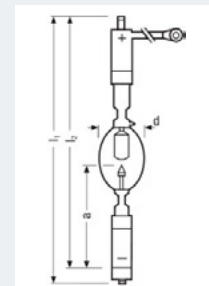
Osram Xstage is a xenon short-arc lamp especially suited for event and architectural lighting. It offers higher luminance due to shortened arc gap.

- Optimized robust base for better stability
- Optimized compact design
- Colour temperature approx. 6,000K (daylight)
- Dimmable
- Hot restart capability



OSRAM Xstage 7000W - Xstage 7000 W OFR						
Electrical data				Photometrical data		
Nominal wattage	Nominal voltage	Lamp current	Current control range	Luminous flux	Luminous intensity	Average luminance
7,000W	40.0V	160A	110..165A	330,000lm	33,000cd	120,000cd/cm²

Dimensions				
Diameter	Length	Mounting length	Light center length (LCL)	Electrode gap cold
70mm	400mm	362mm	162.5mm*	8 mm



*Distance from end of base to tip of electrode (cold)

Temperatures & operating conditions	Lifespan	Additional product data		Capabilities	
Max. base temperature	Lifespan	Base anode (standard designation)	Base cathode (standard designation)	Cooling	Operating position
230 °C	1,000hr	SFaX27-9.5	SFc28-27	Forced**	s90

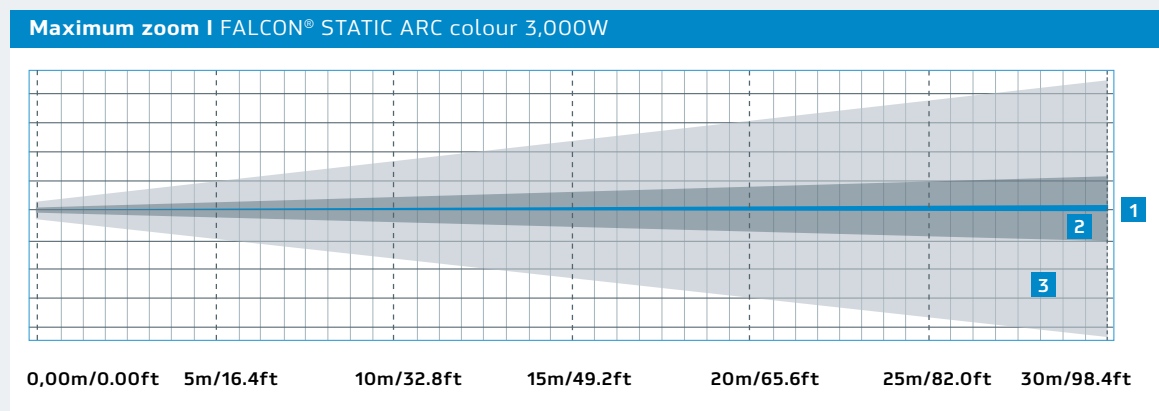
**Vertical and horizontal

Because of their high luminance, UV radiation and high internal pressure in both the hot and cold state, Xstage lamps must only be operated in enclosed lamp casings specially constructed for the purpose. Always use the supplied protective jackets when handling these lamps. They may only be used as open lamps if appropriate safety measures are taken. More information is available on request or can be found in the leaflet included with the lamp or the operating instructions.

Technical subjects to alterations.

BEAM SPREADS - ZOOM

FALCON® STATIC ARC colour 3,000W

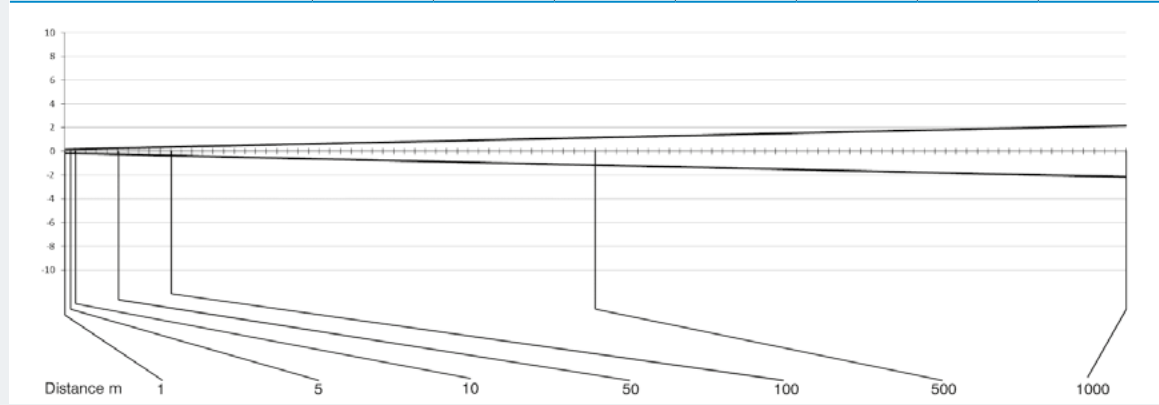


Photometric data maximum zoom I FALCON® STATIC ARC colour 3,000W

Zoom	0m / 0ft	5m / 16.4ft	10m / 32.8ft	15m / 49.2ft	20m / 65.6ft	25m / 82.0ft	30m / 98.4ft
1 Focussed parallel beam <math><2.5^\circ</math>	0.32m / 1.05ft	0.34m / 1.12ft	0.36m / 1.18ft	0.38m / 1.25ft	0.40m / 1.31ft	0.42m / 1.38ft	0.44m / 1.44ft
2 Maximum zoom angle with full spot 6°	0.32m / 1.05ft	0.43m / 1.41ft	0.87m / 2.85ft	1.30m / 4.26ft	1.74m / 5.71ft	2.17m / 7.11ft	2.60m / 8.53ft
3 Maximum zoom angle with centred hole 20°	0.32m / 1.05ft	1.73m / 5.67ft	3.47m / 11.38ft	5.20m / 17.06ft	6.94m / 22.76ft	8.67m / 28.43ft	10.40m / 34.11ft

Photometric data beam diameter I FALCON® STATIC ARC colour 3,000W

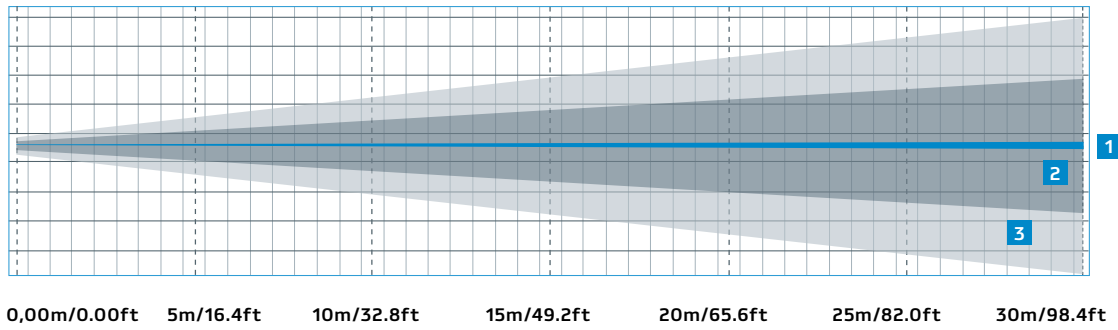
Distance (m)	1m / 3.3ft	5m / 16.4ft	10m / 32.8ft	50m / 164ft	100m / 328ft	500m / 1640.4ft	1000m / 3280.8ft
Beam \varnothing (m)	0.32m / 1ft	0.34m / 1.12ft	0.36m / 1.18ft	0.52m / 1.8ft	0.72m / 2.4	2.32m / 7.7ft	4.32m / 14.2ft



BEAM SPREADS - ZOOM

FALCON® STATIC ARC colour 7,000W

Maximum zoom I FALCON® STATIC ARC colour 7,000W

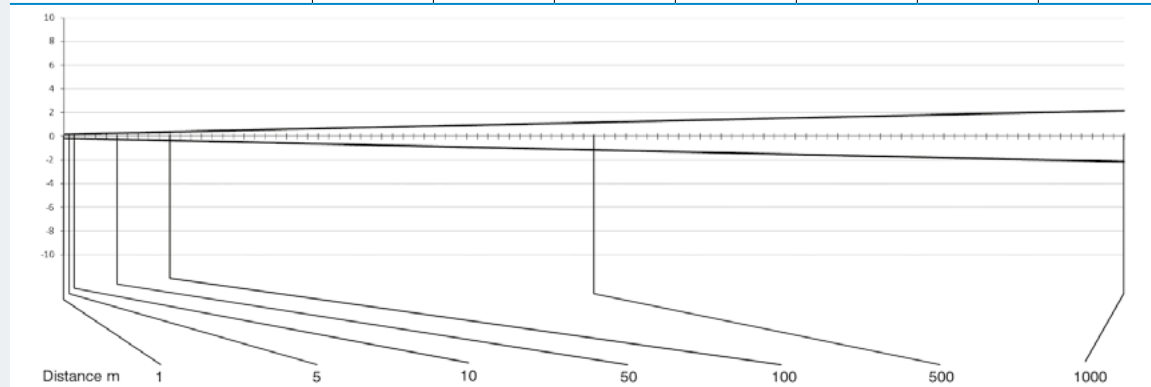


Photometric data maximum zoom I FALCON® STATIC ARC colour 7,000W

Zoom	0m / 0ft	5m / 16.4ft	10m / 32.8ft	15m / 49.2ft	20m / 65.6ft	25m / 82.0ft	30m / 98.4ft
1 Focussed parallel beam <2.5°	0.46m / 1.52ft	0.48m / 1.57ft	0.50m / 1.64ft	0.52m / 1.71ft	0.54m / 1.77ft	0.58m / 1.9ft	0.60m / 1.97ft
2 Maximum zoom angle with full spot 11°	0.46m / 1.52ft	0.88m / 2.9ft	1.76m / 5.8ft	2.65m / 8.7ft	3.53m / 11.59ft	4.41m / 14.49ft	5.30m / 17.38ft
3 Maximum zoom angle with centred hole 20°	0.46m / 1.52ft	1.67m / 5.48ft	3.33m / 10.93ft	5.00m / 16.4ft	6.67m / 21.88ft	8.33m / 27.32ft	10.00m / 32.8ft

Photometric data beam diameter I FALCON® STATIC ARC colour 7,000W

Distance (m)	1m / 3.3ft	5m / 16.4ft	10m / 32.8ft	50m / 164ft	100m / 328ft	500m / 1640.4ft	1000m / 3280.8ft
Beam ø (m)	0.46m / 1.52ft	0.48m / 1.57ft	0.50m / 1.64ft	0.66m / 2.16ft	0.86m / 2.82ft	2.46m / 8.07ft	4.46m / 14.63ft



Technical subjects to alterations.

Arts Outdoor Lighting Technology GmbH & Co. KG ■ Arberger Hafendamm 22 ■ 28309 Bremen ■ Germany
■ Fon +49 (0) 421 59 66 09-0 ■ Fax +49 (0) 421 59 66 09-66
■ info@ao-technology.com ■ www.ao-technology.com

■ August 2017 All of the descriptions, illustrations, diagrams and technical details in this folder describe examples of design or construction and they do not form any element of the contract. Text and photographs are the copyright of Arts Outdoor Lighting Technology GmbH & Co. KG. All rights reserved. The right is reserved to make technical alterations.