

# FALCON® STATIC ARC white

## 3,000W/7,000W

- MADE IN GERMANY
- Powder-coated aluminium housing
- Weatherproof (IP44)

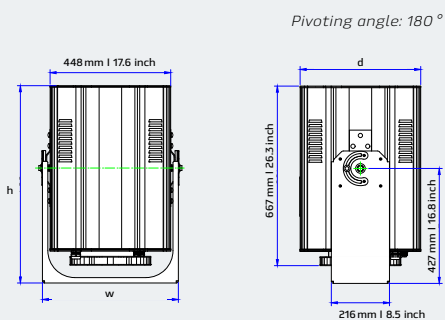
3,000 W | 7,000 W

The **FALCON® STATIC ARC white** is perfect for large architectural installations, including use as long-throw washlight or as a searchlight for accent lighting.



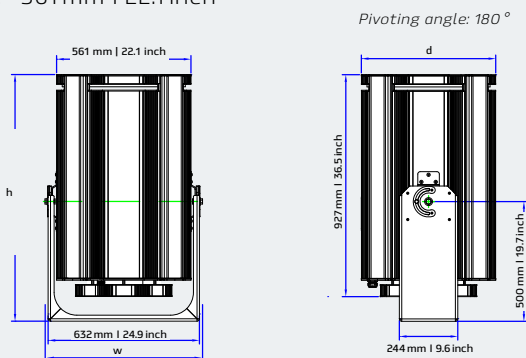
### Dimensions 3,000 W

h: 733 mm | 28.9 inch  
w: 505 mm | 19.9 inch  
d: 448 mm | 17.6 inch



### Dimensions 7,000 W

h: 1,030 mm | 40.6 inch  
w: 660 mm | 26 inch  
d: 561 mm | 22.1 inch



Technical subjects to alterations.

Technical specifications	FALCON® STATIC ARC white 3,000 W	FALCON® STATIC ARC white 7,000 W
<b>Lamp</b>		
Type	OSRAM XBO® 3,000 W or Xstage® 3,000 W	OSRAM XBO® 7,000 W or Xstage® 7,000 W
Colour temperature	6,000 K	
<b>Colour of light</b>		
Dichroic filter	Standard: clear (optional: dichroic filter on request)	
<b>Reflector</b>		
Material	Nickel with high precision electro-shaped dichroic coating	
Diameter	320 mm / 12.6 inch	450 mm / 17.7 inch
<b>Function</b>		
Main functions	Manual: lamp on / off, hot strike, manual focus (optional: electronic strobe, electronic dimmer)	
<b>Optional DMX Control</b>		
Standard DMX protocol	DMX 512 in / out	
DMX channels	Lamp on / off, electronic strobe, electronic dimmer	
<b>Power</b>		
System	Built-in electronic power supply	
Input power (other input voltages on request)	90 - 264 VAC, + 5 % / - 5 %, 50-60Hz, 1-phase	190 - 442 VAC, + 5 % / - 5 %, 50-60 Hz, 3-phase + N
Power factor	cos $\phi$ > 0.98	
Power consumption	3,300 W	7,500 W
<b>Temperature</b>		
Operating temperature	- 15 °C up to + 42 °C, non-condensed; 5 °F up to 107.6 °F, non-condensed	
<b>Housing</b>		
Material	Non-corrosive aluminium / stainless steel	
Colour	Standard colour: silver-grey, RAL 9006; other RAL-tones possible	
<b>Protection</b>		
Protection rating	IP 44	
<b>Specifications</b>		
Dimensions h x w x d	733 x 505 x 448 mm; 28.9 x 19.9 x 17.6 inch	1,030 x 660 x 561 mm; 40.6 x 26 x 22.1 inch
Weight	44,8 kg (98.8 lb)	93 kg (205 lb)

# DMX CHART

## FALCON® STATIC ARC white 3,000W

FALCON® STATIC ARC white 3,000W (Vers. SARCC06)			
DMX channel	Function	DMX Parameter	Default
1	<i>(Reserved)</i>	--	0
2	<i>(Reserved)</i>	--	0
3	<i>(Reserved)</i>	--	0
4	<i>(Reserved)</i>	--	0
5	Control*	0 - 20 (0 - 8%) Idle	90
		27 - 50 (11 - 20%) Lamp off	
		78 - 100 (31 - 39%) Lamp on	
		128 - 150 (50 - 59%) Fixture reset	
		200 - 255 (79 - 100%) Fan on	
6	Intensity (Electronic dimmer)	000 - 255 (0 - 100%) = 30-100% Intensity	255
7	Electronic strobe	000 - 020 (0 - 8%) Strobe disabled	0
		21 - 255 (9 - 100%) Strobe 0.2Hz - 25Hz	

\*Hold value for 5 sec.

# DMX CHART

## FALCON® STATIC ARC white 7,000W

FALCON® STATIC ARC white 7,000W (Vers. SARCC06)			
DMX channel	Function	DMX Parameter	Default
1	<i>(Reserved)</i>	--	0
2	<i>(Reserved)</i>	--	0
3	<i>(Reserved)</i>	--	0
4	<i>(Reserved)</i>	--	0
5	Control*	0 - 20 (0 - 8%) Idle	90
		27 - 50 (11 - 20%) Lamp off	
		78 - 100 (31 - 39%) Lamp on	
		128 - 150 (50 - 59%) Fixture reset	
		200 - 255 (79 - 100%) Fan on	
6	Intensity (Electronic dimmer)	000 - 255 (0 - 100%) = 30-100% Intensity	255
7	Electronic strobe	000 - 020 (0 - 8%) Strobe disabled	0
		21 - 255 (9 - 100%) Strobe 0.2Hz - 25Hz	

\*Hold value for 5 sec.

# LIGHT SOURCE

## FALCON® STATIC ARC white 3,000W

**Osram XBO Xtreme Life** is a xenon short-arc lamp with very high luminance and constant colour temperature of 6,000 K (simulates daylight) throughout the entire lamp lifetime.

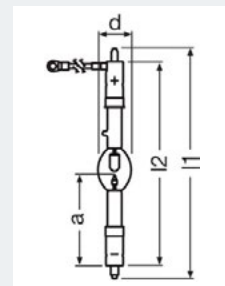
- Easy to maintain
- High arc stability
- Instant light thanks to hot restart function
- Wide dimming range



OSRAM XBO Xtreme Life 3,000W - XBO 3000 W/HS XL OFR								
Electrical data			Dimensions & weight					
Nominal wattage	Nominal current	Current control range	Length	Diameter	Length with base excl. base pins/connection	Light center length (LCL)	Electrode gap cold	Weight
3,000W	100A	60...110A	342mm	60mm	302mm	145mm*	6mm	555g

\*Distance from end of base to tip of electrode (cold)

Photometrical data		
Luminous flux	Luminous intensity	Average luminance
130,000lm	12,000cd	90,000cd/cm <sup>2</sup>



Temperatures & operating conditions	Lifespan	Additional product data		Capabilities	
Max. permitted ambient temp. pinch point	Lifespan	Base anode (standard designation)	Base cathode (standard designation)	Cooling	Burning position
230 °C	2,200hr	SFaX27-9.5	SFa27-7.9	Forced**	s30/p30***

\*\*Vertical and horizontal \*\*\*For vertical burning position: anode (+) on top

Technical subjects to alterations.

# LIGHT SOURCE

## FALCON® STATIC ARC white 3,000W

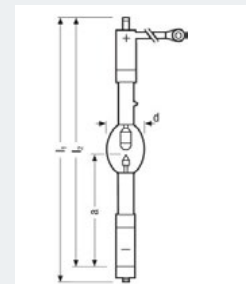
**Osram Xstage** is a short arc lamp especially suited for architectural and event lighting and were optimized for outdoor use. It has a very high luminance for brighter illumination due to shortened arc gap.

- ▀ Robust base for improved stability
- ▀ Daylight colour temperature 6,000K
- ▀ Hot restart capability
- ▀ Dimmable



OSRAM Xstage 3000W - Xstage 3000 W OFR						
Electrical data				Photometrical data		
Nominal wattage	Nominal voltage	Lamp current	Current control range	Luminous flux	Luminous intensity	Average luminance
3,000W	30V	100A	70..110A	140,000lm	13,500cd	200,000 cd/cm <sup>2</sup>

Dimensions				
Diameter	Length	Mounting length	Light center length (LCL)	Electrode gap cold
55mm	300mm	262mm	120mm*	4.5mm



\*Distance from end of base to tip of electrode (cold)

Temperatures & operating conditions	Lifespan	Additional product data		Capabilities	
Max. base temperature	Lifespan	Base anode (standard designation)	Base cathode (standard designation)	Cooling	Operating position
230 °C	1,000hr	SFaX27-9.5	SFc28-27	Required	s90

Because of their high luminance, UV radiation and high internal pressure in both the hot and cold state, Xstage lamps must only be operated in enclosed lamp casings specially constructed for the purpose. Always use the supplied protective jackets when handling these lamps. They may only be used as open lamps if appropriate safety measures are taken. More information is available on request or can be found in the leaflet included with the lamp or the operating instructions.

Technical subjects to alterations.

# LIGHT SOURCE

## FALCON® STATIC ARC white 7,000W

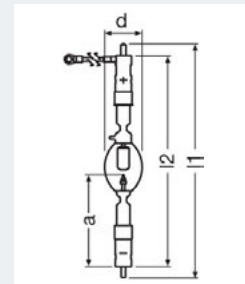
**Osram XBO Xtreme life** is a xenon short-arc lamp with very high luminance and constant colour temperature of 6,000 K (simulates daylight) throughout the entire lamp lifetime.

- Easy to maintain
- High arc stability
- Instant light thanks to hot restart function
- Wide dimming range



OSRAM XBO Xtreme Life 7,000W - XBO 7000 W/HS XL OFR						
Electrical data				Photometrical data		
Nominal wattage	Nominal voltage	Lamp current	Current control range	Luminous flux	Luminous intensity	Average luminance
7,000W	42V	160A	110...165A	350,000lm	35,000cd	100,000 cd/cm <sup>2</sup>

Dimensions & weight						
Diameter	Length	Mounting length	Light center length (LCL)	Electrode gap cold	Cable/ wire length, input side	Product weight
78mm	436mm	393mm	170.5mm*	11mm	400mm	1,025g



\*Distance from end of base to tip of electrode (cold)

Temperatures & operating conditions	Lifespan	Additional product data		Capabilities	
Max. permitted ambient temp. pinch point	Lifespan	Base anode (standard designation)	Base cathode (standard designation)	Cooling	Burning position
230 °C	650h	SFaX30-9.5	SFa30-79	Forced**	p15/s15***

\*\*Vertical and horizontal    \*\*\*For vertical burning position: anode (+) on top

# LIGHT SOURCE

## FALCON® STATIC ARC white 7,000W

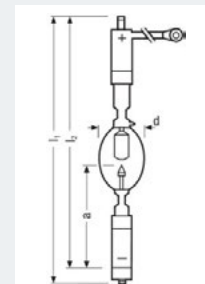
**Osram Xstage** is a xenon short-arc lamp especially suited for event and architectural lighting. It offers higher luminance due to shortened arc gap.

- Optimized robust base for better stability
- Optimized compact design
- Colour temperature approx. 6,000K (daylight)
- Dimmable
- Hot restart capability



OSRAM Xstage 7000W - Xstage 7000 W OFR						
Electrical data				Photometrical data		
Nominal wattage	Nominal voltage	Lamp current	Current control range	Luminous flux	Luminous intensity	Average luminance
7,000W	40.0V	160A	110..165A	330,000lm	33,000cd	120,000cd/cm <sup>2</sup>

Dimensions				
Diameter	Length	Mounting length	Light center length (LCL)	Electrode gap cold
70mm	400mm	362mm	162.5mm*	8 mm



\*Distance from end of base to tip of electrode (cold)

Temperatures & operating conditions	Lifespan	Additional product data		Capabilities	
Max. base temperature	Lifespan	Base anode (standard designation)	Base cathode (standard designation)	Cooling	Operating position
230 °C	1,000hr	SFaX27-9.5	SFc28-27	Forced**	s90

\*\*Vertical and horizontal

Because of their high luminance, UV radiation and high internal pressure in both the hot and cold state, Xstage lamps must only be operated in enclosed lamp casings specially constructed for the purpose. Always use the supplied protective jackets when handling these lamps. They may only be used as open lamps if appropriate safety measures are taken. More information is available on request or can be found in the leaflet included with the lamp or the operating instructions.

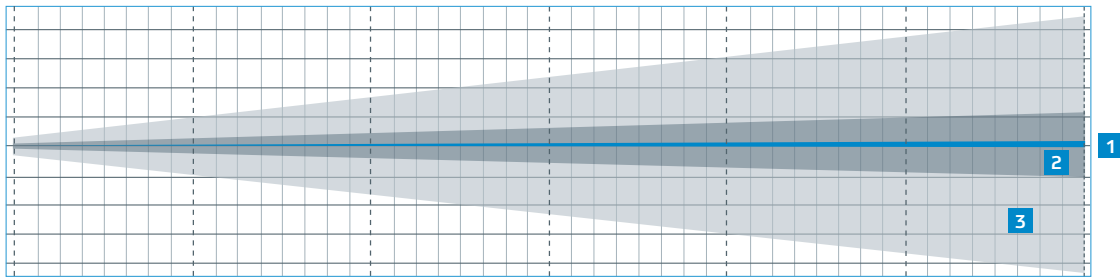
Technical subjects to alterations.



# BEAM SPREADS - ZOOM

## FALCON® STATIC ARC white 3,000W

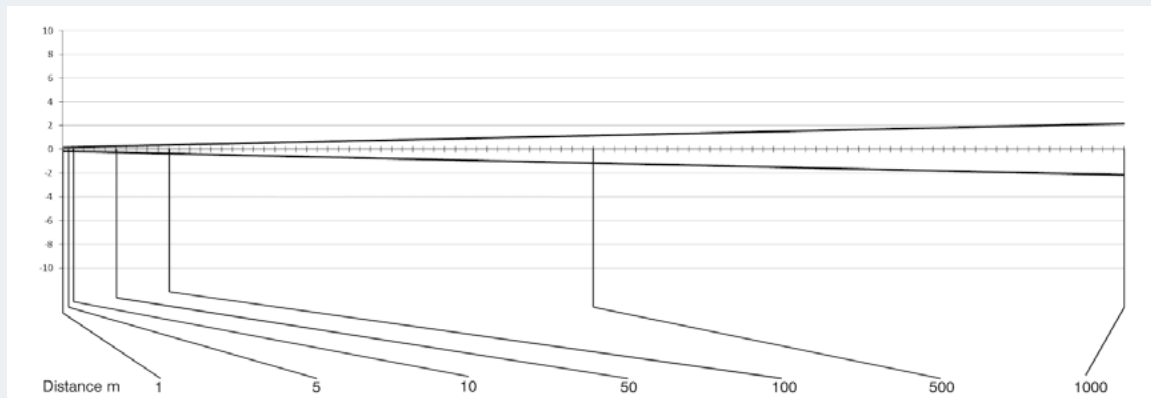
### Maximum zoom I FALCON® STATIC ARC white 3,000W



0,00m/0.00ft    5m/16.4ft    10m/32.8ft    15m/49.2ft    20m/65.6ft    25m/82.0ft    30m/98.4ft

### Photometric data maximum zoom I FALCON® STATIC ARC colour 3,000W

Zoom	0m / 0ft	5m / 16.4ft	10m / 32.8ft	15m / 49.2ft	20m / 65.6ft	25m / 82.0ft	30m / 98.4ft
<b>1</b> Focussed parallel beam <math><2.5^\circ</math>	0.32m / 1.05ft	0.34m / 1.12ft	0.36m / 1.18ft	0.38m / 1.25ft	0.40m / 1.31ft	0.42m / 1.38ft	0.44m / 1.44ft
<b>2</b> Maximum zoom angle with full spot $6^\circ$	0.32m / 1.05ft	0.43m / 1.41ft	0.87m / 2.85ft	1.30m / 4.26ft	1.74m / 5.71ft	2.17m / 7.11ft	2.60m / 8.53ft
<b>3</b> Maximum zoom angle with centred hole $20^\circ$	0.32m / 1.05ft	1.73m / 5.67ft	3.47m / 11.38ft	5.20m / 17.06ft	6.94m / 22.76ft	8.67m / 28.43ft	10.40m / 34.11ft



### Photometric data beam diameter I FALCON® STATIC ARC white 3,000W Xstage\*

Distance (m)	1m / 3.3ft	5m / 16.4ft	10m / 32.8ft	50m / 164ft	100m / 328ft	500m / 1640.4ft	1000m / 3280.8ft
Beam $\phi$ (m)	0.32m / 1ft	0.34m / 1.1ft	0.36m / 1.2ft	0.52m / 1.8ft	0.72m / 2.4	2.32m / 7.7ft	4.32m / 14.2ft
Lux (lx)	47,000,000	1,900,000	470,000	19,000	4,700	190	47
Footcandles (fc)	4,400,000	177,000	44,000	1,770	440	18	4

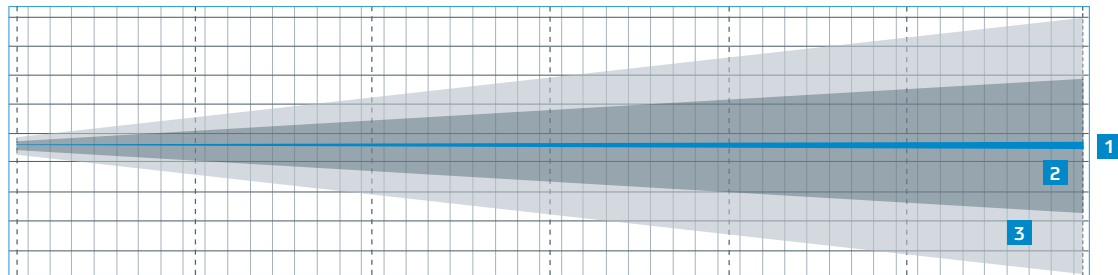
\*1lux @ app. 6.9km (4mi) / Beam  $\phi$  @ 1lux app. 28m (91'10")

Technical subjects to alterations.

# BEAM SPREADS - ZOOM

## FALCON® STATIC ARC white 7,000W

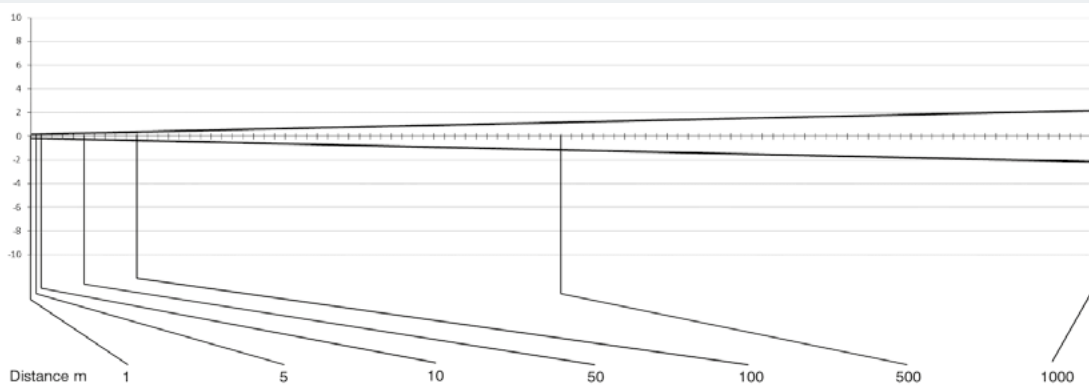
### Maximum zoom I FALCON® STATIC ARC white 7,000W



0,00m/0.00ft    5m/16.4ft    10m/32.8ft    15m/49.2ft    20m/65.6ft    25m/82.0ft    30m/98.4ft

### Photometric data maximum zoom I FALCON® STATIC ARC white 7,000W

Zoom	0m / 0ft	5m / 16.4ft	10m / 32.8ft	15m / 49.2ft	20m / 65.6ft	25m / 82.0ft	30m / 98.4ft
<b>1</b> Focussed parallel beam <2.5°	0.46m / 1.52ft	0.48m / 1.57ft	0.50m / 1.64ft	0.52m / 1.71ft	0.54m / 1.77ft	0.58m / 1.90ft	0.60m / 1.97ft
<b>2</b> Maximum zoom angle with full spot 11°	0.46m / 1.52ft	0.88m / 2.90ft	1.76m / 5.80ft	2.65m / 8.70ft	3.53m / 11.59ft	4.41m / 14.49ft	5.30m / 17.38ft
<b>3</b> Maximum zoom angle with centred hole 20°	0.46m / 1.52ft	1.67m / 5.48ft	3.33m / 10.93ft	5.00m / 16.40ft	6.67m / 21.88ft	8.33m / 27.32ft	10.00m / 32.80ft



### Photometric data beam diameter I FALCON® STATIC ARC white 7,000W Xstage\*

Distance (m)	1m / 3.3ft	5m / 16.4ft	10m / 32.8ft	50m / 164ft	100m / 328ft	500m / 1640.4ft	1000m / 3280.8ft
Beam $\varnothing$ (m)	0.46m / 1.52ft	0.48m / 1.57ft	0.50m / 1.64ft	0.66m / 2.16ft	0.86m / 2.82ft	2.46m / 8.07ft	4.46m / 14.63ft
Lux (lx)	182,000,000	7,300,000	1,820,000	73,000	18,200	730	182
Footcandles (fc)	17,000,000	678,000	170,000	6,800	1,700	68	17

\*1lux @ app. 13,5km (8mi) / Beam  $\varnothing$  @ 1lux app. 54m (177')

Technical subjects to alterations.

Arts Outdoor Lighting Technology GmbH & Co. KG ■ Arberger Hafendamm 22 ■ 28309 Bremen ■ Germany

■ Fon +49 (0) 421 59 66 09-0 ■ Fax +49 (0) 421 59 66 09-66

■ info@ao-technology.com ■ www.ao-technology.com

■ March 2018 All of the descriptions, illustrations, diagrams and technical details in this folder describe examples of design or construction and they do not form any element of the contract. Text and photographs are the copyright of Arts Outdoor Lighting Technology GmbH & Co. KG. All rights reserved. The right is reserved to make technical alterations.