

# FALCON® BEAM 2 ARC white

## 3,000W/7,000W

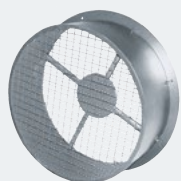
- MADE IN GERMANY
- Powder-coated aluminium housing
- Weatherproof (IP44)
- 16 bit precision movement

3,000 W | 7,000 W

The **FALCON® BEAM 2 ARC white** is perfect for large architectural and entertainment installations, including use as a searchlight or long-throw washlight.



Rain shield, optional



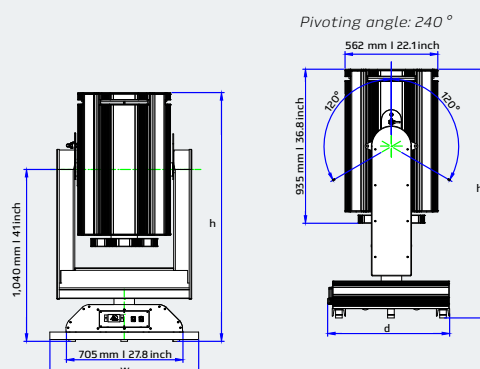
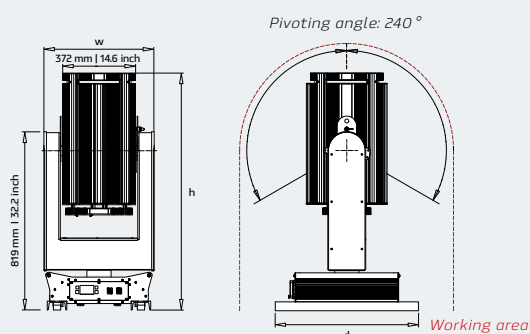
Light and safety shield, optional

### Dimensions 3,000 W

h: 1,220 mm | 48.0 inch  
w: 564 mm | 22.2 inch  
d: 730 mm | 28.7 inch

### Dimensions 7,000 W

h: 1,505 mm | 59.2 inch  
w: 900 mm | 35.4 inch  
d: 738 mm | 29.1 inch



Technical specifications	FALCON® BEAM 2 ARC white 3,000 W	FALCON® BEAM 2 ARC white 7,000 W
<b>Lamp</b>		
Type	OSRAM XBO® 3,000 W or Xstage® 3,000 W	OSRAM: XBO® 7,000 W or Xstage® 7,000 W
Colour temperature	6,000 K	
<b>Colour of light</b>		
Dichroic filter	Standard: clear (optional: dichroic filter on request)	
<b>Reflector</b>		
Material	Nickel with high-precision electro-shaped rhodium coating	
Diameter	320 mm / 12.6 inch	460 mm / 18.1 inch
<b>Function</b>		
Main functions	Lamp on / off, hot strike, electronic dimmer, electronic strobe, zoom, Pan / Tilt movement 16 bit, reset	
Movement	Pan = 500 °, tilt = 240 °	
Strobe	Electronic, 0,2 - 25 Hz	
<b>Control</b>		
Standard DMX protocol	DMX 512 in / out	
DMX channels	13	
<b>Power</b>		
System	Built-in electronic power supply	
Input power (other input voltages on request)	90 - 264 VAC, + 5 % / - 5 %, 50/60 Hz, balanced 1-phase	190 - 442 VAC, + 5 % / - 5 %, 50/60 Hz, balanced 3-phase
Power factor	cos $\phi$ > 0.98	
Power consumption	3,300 W	7,500 W
<b>Temperature</b>		
Operating temperature	- 15 °C up to + 42 °C, non-condensed; 5 °F up to 107.6 °F, non-condensed	
<b>Housing</b>		
Material	Non-corrosive aluminium / stainless steel	
Colour	Standard colour: silver-grey, RAL 9006; other RAL-tones possible	
<b>Protection</b>		
Protection rating	IP 44	
<b>Specifications</b>		
Dimensions h x w x d	1,220 x 564 x 730 mm; 48.0 x 22.2 x 28.7 inch	1,505 x 900 x 738 mm; 59.3 x 35.4 x 29.1 inch
Weight	130 kg (286.6 lb)	236 kg (521 lb)

# DMX CHART

## FALCON® BEAM 2 ARC white 3,000W

FALCON® BEAM 2 ARC colour 3,000W (Vers. Falc C24)					
DMX channel	Function	MODE 1		MODE 2	
		DMX Parameter	Default	DMX Parameter	Default
1	PAN coarse	0 - 255 (0 - 100%) 0° - 500°	127	0 - 255 (0 - 100%) 0° - 500°	127
2	PAN fine	0 - 255 (0 - 100%) 0° - 2° fine	127	0 - 255 (0 - 100%) 0° - 2° fine	127
3	TILT coarse	0 - 255 (0 - 100%) 0° - 240°	127	0 - 255 (0 - 100%) 0° - 234	127
4	TILT fine	0 - 255 (0 - 100%) 0° - 2° Fine	127	0 - 255 (0 - 100%) 0° - 2° Fine	127
5	Zoom	0 - 255 (0 - 100%) Min. zoom - max. zoom	127	0 - 255 (0 - 100%) Min. zoom - max. zoom	127
6	Reserved		0		0
7	Reserved		0		0
8	Lamp off/on*	0 - 20 (0 - 8%) Idle	0	0 - 20 (0 - 8%) Idle	0
		25 - 50 (10 - 20%) Lamp off		25 - 50 (10 - 20%) Lamp off	
		78 - 100 (31 - 39%) Lamp on		78 - 100 (31 - 39%) Lamp on	
	Reset*	126 - 150 (50 - 59%) Fixture reset		126 - 150 (50 - 59%) Fixture reset	
		155 - 160 (61 - 63%) Pan reset		155 - 160 (61 - 63%) Pan reset	
		165 - 170 (65 - 67%) Tilt reset		165 - 170 (65 - 67%) Tilt reset	
		175 - 180 (69 - 71%) Zoom reset		175 - 180 (69 - 71%) Zoom reset	
	Force shutter open			191 - 199 (75 - 78%) Lock shutter in open position (Function is active as long as value is sent by control desk. When released, shutter will immediately follow dimmer values.)	
Fan on**	200 - 255 (79 - 100%) Fan on	200 - 255 (79 - 100%) Fan on			
9	Intensity (Electronic dimmer / Dimmer)	000 - 255 (0 - 100%) = 30-100% Intensity	255	000 - 255 (0 - 100%) = 0-100% Intensity	0
10	Electronic strobe	000 - 020 (0 - 8%) Strobe disabled	0	000 - 003 (0 - 2%) Open	0
				004 - 103 (3 - 40%) Strobe 0.25Hz - 25Hz	
				104 - 107 (41 - 42%) Closed	
				108 - 132 (43 - 52%) Pulse open	
		133 - 157 (53 - 62%) Pulse closed			
		158 - 160 (63%) Random slow			
		161 - 163 (64%) Random medium			
		164 - 166 (65%) Random fast			
167 - 169 (66 - 67%) Open					
11	Dimmer control	<b>IMPORTANT: Channel has to be fixed on value 127 every time!</b>	<b>127</b>		0
12	Reserved		0		0
13	(Future use)		0		0

\*Hold value for 5 sec. \*\* Hold value for > 1 sec.

# DMX CHART

## FALCON® BEAM 2 ARC white 7,000W

FALCON® BEAM 2 ARC colour 7,000W (Vers. Falc C24)						
DMX channel	Function	MODE 1		MODE 2		
		DMX Parameter	Default	DMX Parameter	Default	
1	PAN coarse	0 - 255 (0 - 100%) 0° - 500°	127	0 - 255 (0 - 100%) 0° - 500°	127	
2	PAN fine	0 - 255 (0 - 100%) 0° - 2° fine	127	0 - 255 (0 - 100%) 0° - 2° fine	127	
3	TILT coarse	0 - 255 (0 - 100%) 0° - 240°	127	0 - 255 (0 - 100%) 0° - 234°	127	
4	TILT fine	0 - 255 (0 - 100%) 0° - 2° fine	127	0 - 255 (0 - 100%) 0° - 2° fine	127	
5	Zoom	0 - 255 (0 - 100%) min. zoom - max. zoom	127	0 - 255 (0 - 100%) min. zoom - max. zoom	127	
6	Reserved					
7	Reserved					
8	Lamp off/on*	0 - 20 (0 - 1%) Idle	0	0 - 20 (0 - 1%) Idle	0	
		25 - 50 (10 - 20%) Lamp off		25 - 50 (10 - 20%) Lamp off		
		78 - 100 (31 - 40%) Lamp on		78 - 100 (31 - 40%) Lamp on		
	Force shutter open			126 - 150 (50 - 59%) Fixture reset		
				155 - 160 (61 - 63%) PAN reset		
Fan on**	200 - 255 (79 - 100%) Fan on	165 - 170 (65 - 67%) TILT reset	0	175 - 180 (69 - 71%) Zoom reset	0	
		191 - 199 (75 - 78%) Lock shutter in open position (Function is active as long as value is sent by control desk. When released, shutter will immediately follow dimmer values.)		200 - 255 (79 - 100%) Fan on		
9	Intensity (elec. Dimmer/Dimmer)	000 - 255 (0 - 100%) = 0-100% Intensity	0	000 - 255 = 0-100% Intensity	0	
10	Electronic strobe	000 - 020 (0 - 8%) Strobe disabled	0	000 - 003 (0 - 2%) Open	0	
				004 - 103 (3 - 40%) Strobe 0,25Hz - 25Hz		
				104 - 107 (41 - 42%) Closed		
		108 - 132 (43 - 52%) Pulse open				
		133 - 157 (53 - 62%) Pulse closed				
		158 - 160 (63%) Random slow				
		161 - 163 (64%) Random medium				
		164 - 166 (65%) Random fast				
		167 - 169 (66 - 67%) Open				
11	Dimmer control	<b>IMPORTANT: Channel has to be fixed on value 127 every time!</b>	127		0	
12	Reserved		0		0	
13	Reserved		0		0	

\*Hold value for 5 sec. \*\* Hold value for > 1 sec.

# LIGHT SOURCE

## FALCON® BEAM 2 ARC white 3,000W

**Osram XBO Xtreme Life** is a xenon short-arc lamp with very high luminance and constant colour temperature of 6,000 K (simulates daylight) throughout the entire lamp lifetime.

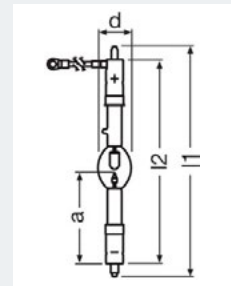
- Easy to maintain
- High arc stability
- Instant light thanks to hot restart function
- Wide dimming range



OSRAM XBO Xtreme Life 3,000W - XBO 3000 W/HS XL OFR								
Electrical data			Dimensions & weight					
Nominal wattage	Nominal current	Current control range	Length	Diameter	Length with base excl. base pins/connection	Light center length (LCL)	Electrode gap cold	Weight
3,000W	100A	60...110A	342mm	60mm	302mm	145mm*	6mm	555g

\*Distance from end of base to tip of electrode (cold)

Photometrical data		
Luminous flux	Luminous intensity	Average luminance
130,000lm	12,000cd	90,000cd/cm <sup>2</sup>



Temperatures & operating conditions	Lifespan	Additional product data		Capabilities	
Max. permitted ambient temp. pinch point	Lifespan	Base anode (standard designation)	Base cathode (standard designation)	Cooling	Burning position
230 °C	2,200hr	SFaX27-9.5	SFa27-7.9	Forced**	s30/p30***

\*\*Vertical and horizontal \*\*\*For vertical burning position: anode (+) on top

Technical subjects to alterations.

# LIGHT SOURCE

## FALCON® BEAM 2 ARC white 3,000W

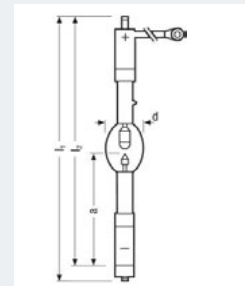
**Osram Xstage** is a short arc lamp especially suited for architectural and event lighting and were optimized for outdoor use. It has a very high luminance for brighter illumination due to shortened arc gap.

- ▀ Robust base for improved stability
- ▀ Daylight colour temperature 6,000K
- ▀ Hot restart capability
- ▀ Dimmable



OSRAM Xstage 3000W - Xstage 3000 W OFR						
Electrical data				Photometrical data		
Nominal wattage	Nominal voltage	Lamp current	Current control range	Luminous flux	Luminous intensity	Average luminance
3,000W	30V	100A	70..110A	140,000lm	13,500cd	200,000 cd/cm <sup>2</sup>

Dimensions				
Diameter	Length	Mounting length	Light center length (LCL)	Electrode gap cold
55mm	300mm	262mm	120mm*	4.5mm



\*Distance from end of base to tip of electrode (cold)

Temperatures & operating conditions	Lifespan	Additional product data		Capabilities	
Max. base temperature	Lifespan	Base anode (standard designation)	Base cathode (standard designation)	Cooling	Operating position
230 °C	1,000hr	SFaX27-9.5	SFc28-27	Required	s90

Because of their high luminance, UV radiation and high internal pressure in both the hot and cold state, Xstage lamps must only be operated in enclosed lamp casings specially constructed for the purpose. Always use the supplied protective jackets when handling these lamps. They may only be used as open lamps if appropriate safety measures are taken. More information is available on request or can be found in the leaflet included with the lamp or the operating instructions.

Technical subjects to alterations.

# LIGHT SOURCE

## FALCON® BEAM 2 ARC white 7,000W

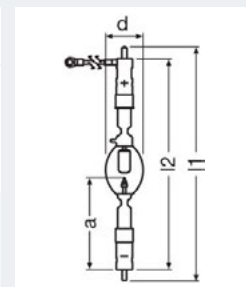
**Osram XBO Xtreme Life** is a xenon short-arc lamp with very high luminance and constant colour temperature of 6,000 K (simulates daylight) throughout the entire lamp lifetime.

- Easy to maintain
- High arc stability
- Instant light thanks to hot restart function
- Wide dimming range



OSRAM XBO Xtreme Life 7,000W - XBO 7000 W/HS XL OFR						
Electrical data				Photometrical data		
Nominal wattage	Nominal voltage	Lamp current	Current control range	Luminous flux	Luminous intensity	Average luminance
7,000W	42V	160A	110...165A	350,000lm	35,000cd	100,000 cd/cm <sup>2</sup>

Dimensions & weight						
Diameter	Length	Mounting length	Light center length (LCL)	Electrode gap cold	Cable/ wire length, input side	Product weight
78mm	436mm	393mm	170.5mm*	11mm	400mm	1,025g



\*Distance from end of base to tip of electrode (cold)

Temperatures & operating conditions	Lifespan	Additional product data		Capabilities	
Max. permitted ambient temp. pinch point	Lifespan	Base anode (standard designation)	Base cathode (standard designation)	Cooling	Burning position
230 °C	650h	SFaX30-9.5	SFa30-79	Forced**	p15/s15***

\*\*Vertical and horizontal    \*\*\*For vertical burning position: anode (+) on top

# LIGHT SOURCE

## FALCON® BEAM 2 ARC white 7,000W

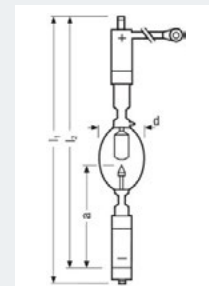
**Osram Xstage** is a xenon short-arc lamp especially suited for event and architectural lighting. It offers higher luminance due to shortened arc gap.

- Optimized robust base for better stability
- Optimized compact design
- Colour temperature approx. 6,000K (daylight)
- Dimmable
- Hot restart capability



OSRAM Xstage 7000W - Xstage 7000 W OFR						
Electrical data				Photometrical data		
Nominal wattage	Nominal voltage	Lamp current	Current control range	Luminous flux	Luminous intensity	Average luminance
7,000W	40.0V	160A	110..165A	330,000lm	33,000cd	120,000cd/cm²

Dimensions				
Diameter	Length	Mounting length	Light center length (LCL)	Electrode gap cold
70mm	400mm	362mm	162.5mm*	8 mm



\*Distance from end of base to tip of electrode (cold)

Temperatures & operating conditions	Lifespan	Additional product data		Capabilities	
Max. base temperature	Lifespan	Base anode (standard designation)	Base cathode (standard designation)	Cooling	Operating position
230 °C	1,000hr	SFaX27-9.5	SFc28-27	Forced**	s90

\*\*Vertical and horizontal

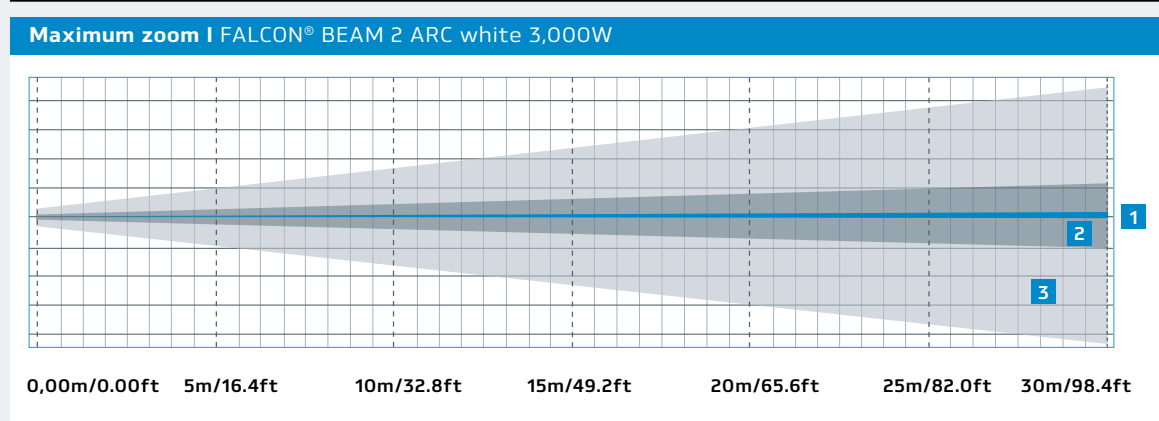
Because of their high luminance, UV radiation and high internal pressure in both the hot and cold state, Xstage lamps must only be operated in enclosed lamp casings specially constructed for the purpose. Always use the supplied protective jackets when handling these lamps. They may only be used as open lamps if appropriate safety measures are taken. More information is available on request or can be found in the leaflet included with the lamp or the operating instructions.

Technical subjects to alterations.



# BEAM SPREADS - ZOOM

## FALCON® BEAM 2 ARC white 3,000W

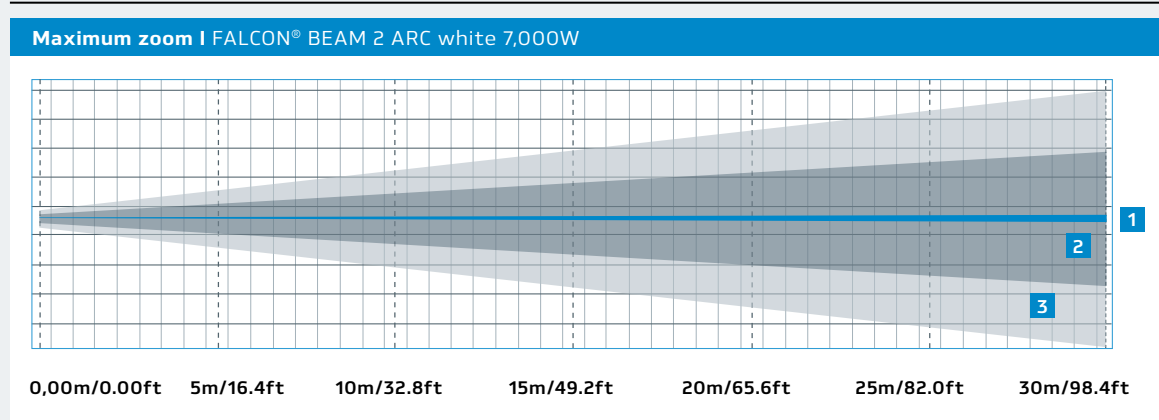


**Photometric data maximum zoom I FALCON® BEAM 2 ARC white 3,000W**

Zoom	0m / 0ft	5m / 16.4ft	10m / 32.8ft	15m / 49.2ft	20m / 65.6ft	25m / 82.0ft	30m / 98.4ft
<b>1</b> Focussed parallel beam <2.5°	0.32m / 1.05ft	0.34m / 1.12ft	0.36m / 1.18ft	0.38m / 1.25ft	0.40m / 1.31ft	0.42m / 1.38ft	0.44m / 1.44ft
<b>2</b> Maximum zoom angle with full spot 6°	0.32m / 1.05ft	0.43m / 1.41ft	0.87m / 2.85ft	1.30m / 4.26ft	1.74m / 5.71ft	2.17m / 7.11ft	2.60m / 8.53ft
<b>3</b> Maximum zoom angle with centred hole 20°	0.32m / 1.05ft	1.73m / 5.67ft	3.47m / 11.38ft	5.20m / 17.06ft	6.94m / 22.76ft	8.67m / 28.43ft	10.40m / 34.11ft

# BEAM SPREADS - ZOOM

## FALCON® BEAM 2 ARC white 7,000W

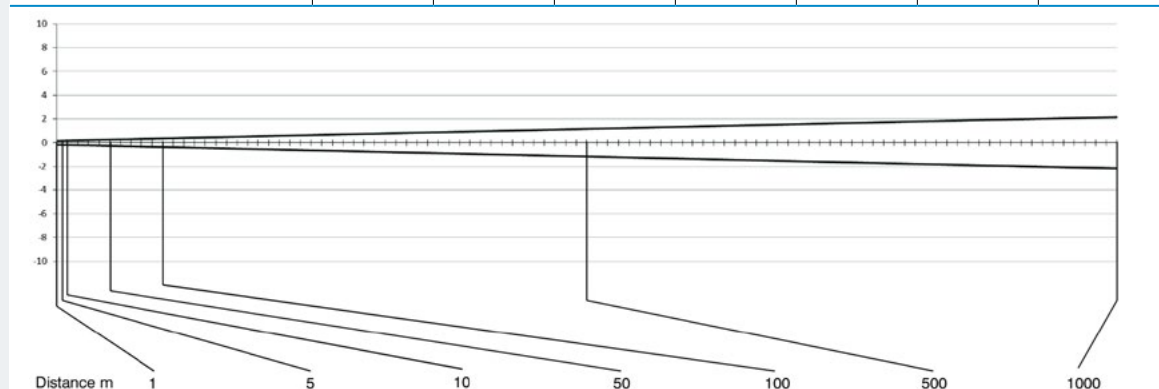


**Photometric data maximum zoom | FALCON® BEAM 2 ARC white 7,000W**

Zoom	0m / 0ft	5m / 16.4ft	10m / 32.8ft	15m / 49.2ft	20m / 65.6ft	25m / 82.0ft	30m / 98.4ft
<b>1</b> Focussed parallel beam <math><2.5^\circ</math>	0.46m / 1.52ft	0.48m / 1.57ft	0.50m / 1.64ft	0.52m / 1.71ft	0.54m / 1.77ft	0.58m / 1.90ft	0.60m / 1.97ft
<b>2</b> Maximum zoom angle with full spot $11^\circ$	0.46m / 1.52ft	0.88m / 2.90ft	1.76m / 5.80ft	2.65m / 8.70ft	3.53m / 11.59ft	4.41m / 14.49ft	5.30m / 17.38ft
<b>3</b> Maximum zoom angle with centred hole $20^\circ$	0.46m / 1.52ft	1.67m / 5.48ft	3.33m / 10.93ft	5.00m / 16.40ft	6.67m / 21.88ft	8.33m / 27.32ft	10.00m / 32.80ft

**Photometric data beam diameter | - FALCON® STATIC ARC colour 7,000W**

Distance (m)	1m / 3.3ft	5m / 16.4ft	10m / 32.8ft	50m / 164ft	100m / 328ft	500m / 1640.4ft	1000m / 3280.8ft
Beam $\varnothing$ (m)	0.40m / 1.31ft	0.42m / 1.38ft	0.44m / 1.44ft	0.60m / 1.97ft	0.80m / 2.62ft	2.40m / 7.87ft	4.40m / 14.44ft
Lux (lx)	182,000,000	7,300,000	1,820,000	73,000	18,200	730	182
Footcandles (fc)	17,000,000	678,000	170,000	6,800	1,700	68	17



Technical subjects to alterations.

Arts Outdoor Lighting Technology GmbH & Co. KG ■ Arberger Hafendamm 22 ■ 28309 Bremen ■ Germany  
■ Fon +49 (0) 421 59 66 09-0 ■ Fax +49 (0) 421 59 66 09-66  
■ info@ao-technology.com ■ www.ao-technology.com

■ March 2018 All of the descriptions, illustrations, diagrams and technical details in this folder describe examples of design or construction and they do not form any element of the contract. Text and photographs are the copyright of Arts Outdoor Lighting Technology GmbH & Co. KG. All rights reserved. The right is reserved to make technical alterations.